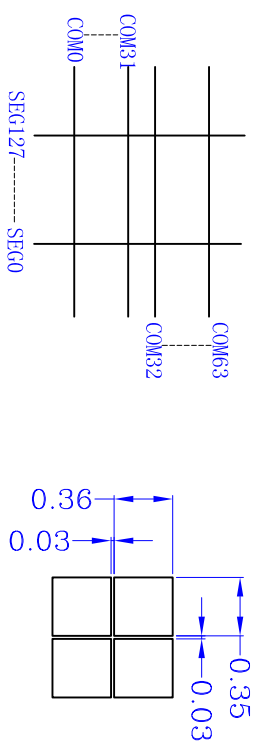
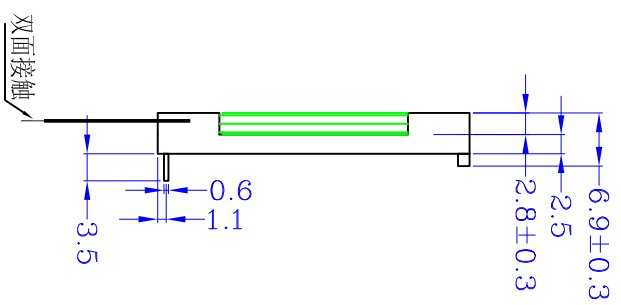
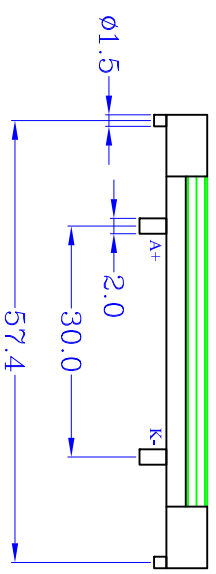
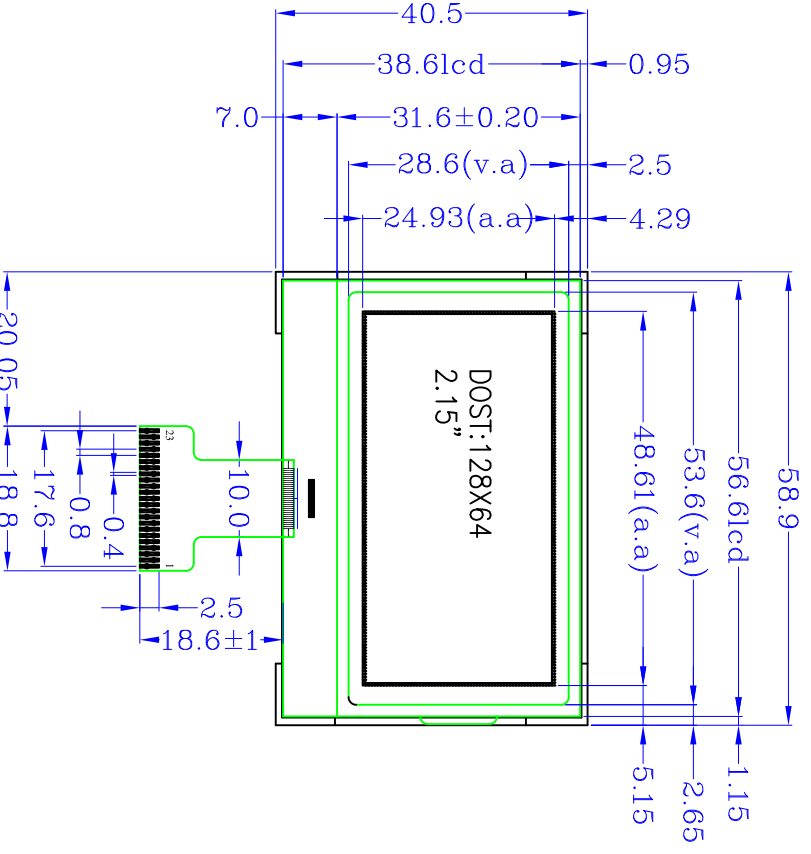




1	VDD
2	P/S
3	C86
4	VSS
5	VG
6	XV0
7	V0
8	VSS
9	VDD
10	DB7(SCT)
11	DB6(SCT)
12	DB5
13	DB4
14	DB3
15	DB2
16	DB1
17	DB0
18	VDD
19	/RD(E)
20	/WR(R/W)
21	A0
22	/RST
23	/CS



- NOTES:
1. DISPLAY TYPE: STN, YELLOW-GREEN
  2. POLARIZER TYPE: TRANSPARENT, POSITIVE
  3. VIEW DIRECTION: 6:00
  4. OPERATING TEMPERATURE: -10°C~+60°C
  5. STORAGE TEMPERATURE: -20°C~+70°C
  6. VDD: +3.3V
  7. DRIVE METHOD: 1/64DUTY, 1/9BIAS
  8. CONTROLLER: ST7567
  9. BACKLIGHT TYPE: YELLOW-GREEN
  10. BACKLIGHT SUPPLY VOLTAGE: 3.0V

 <b>WAYING (HONGKONG) SHARES LIMITED</b>	
DESIGN:	MODEL NUMBER:
CHECK:	WYM12864K22G
APPROVE:	VERSION: A
	
UNITS: MM	SHEET: 1 OF 1
DATE: 2012-07-25	

Unspecified tolerances are ±0.3